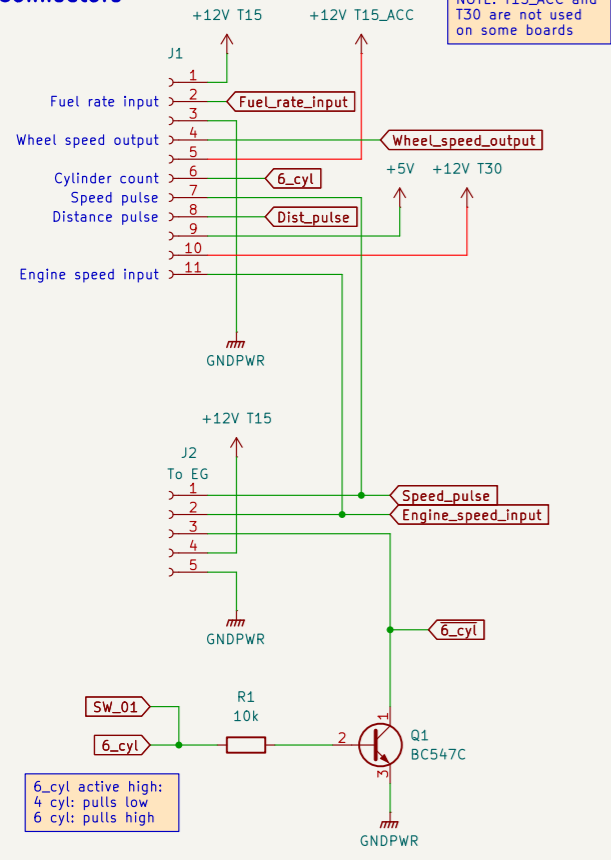
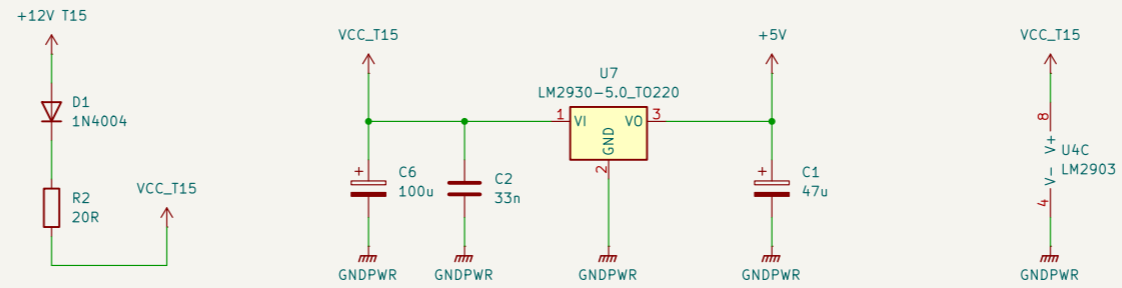


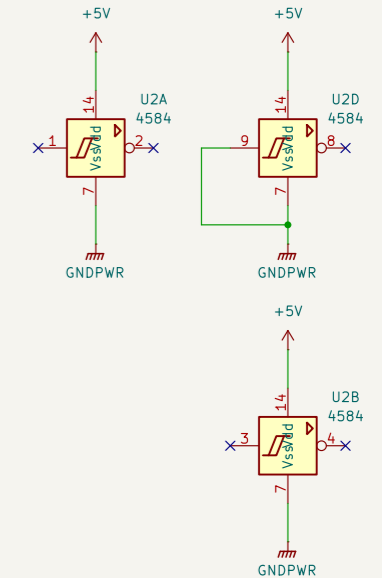
Connectors



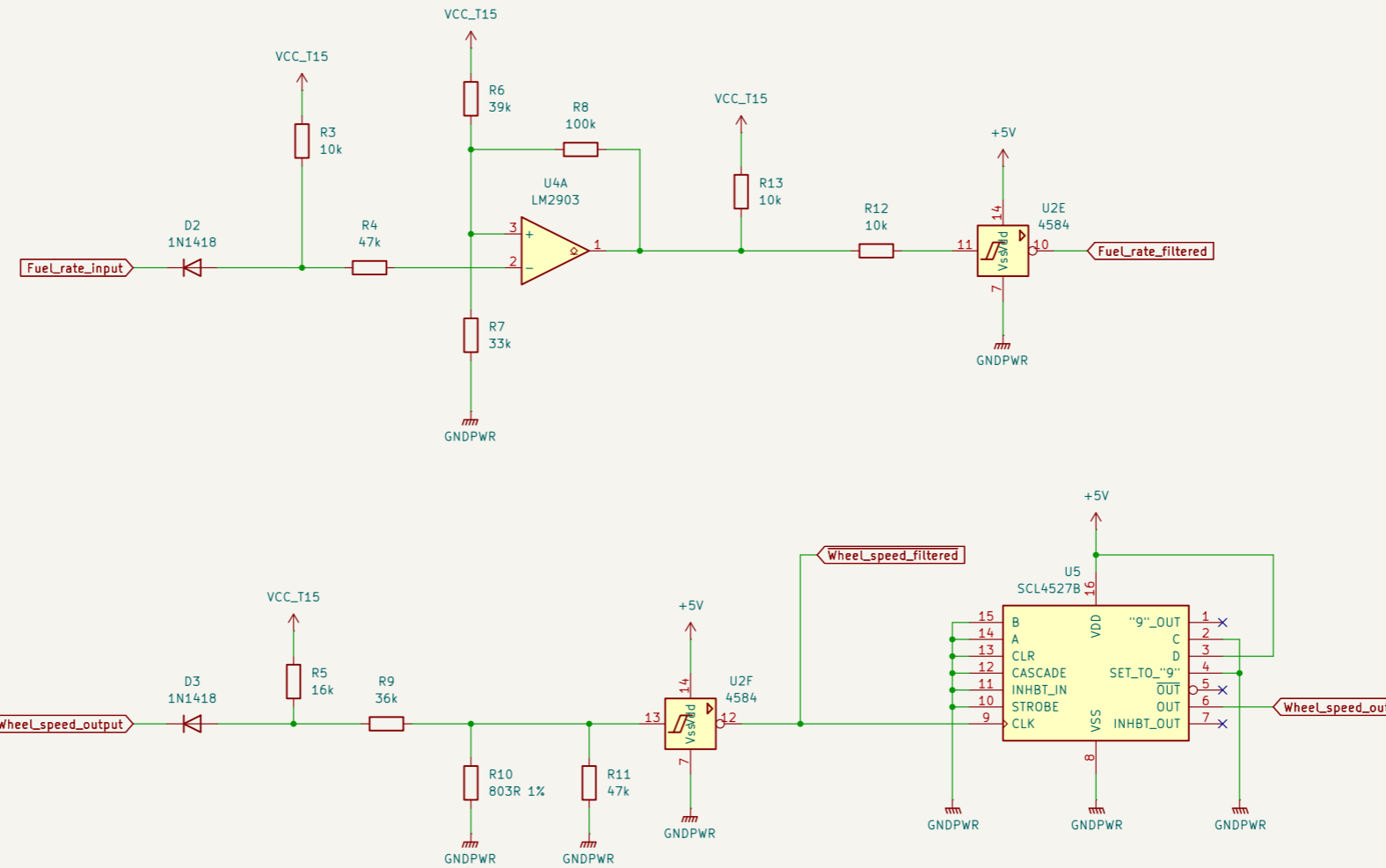
Power Filtering and Distribution



Unused Components/Pins



Fuel Rate & Wheel Speed Signal Filtering



Economy Gauge Driver



File: EG_Driver.kicad_sch

NOTE: All resistors are 5% tolerance unless otherwise noted

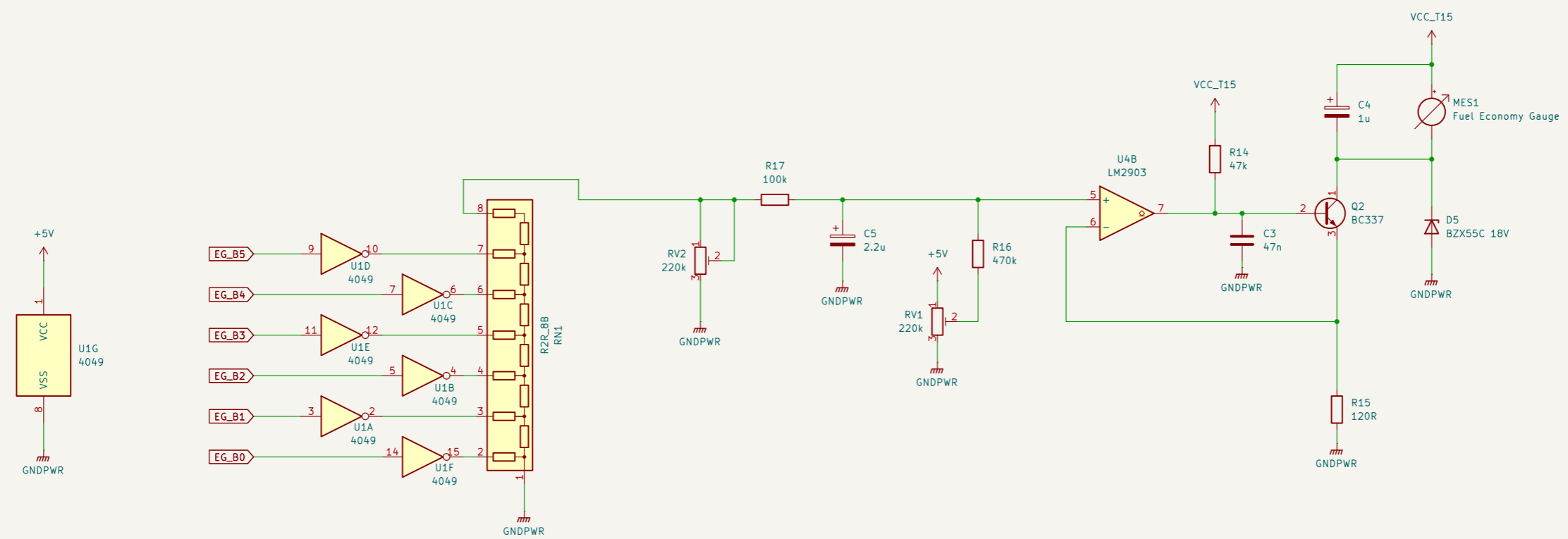
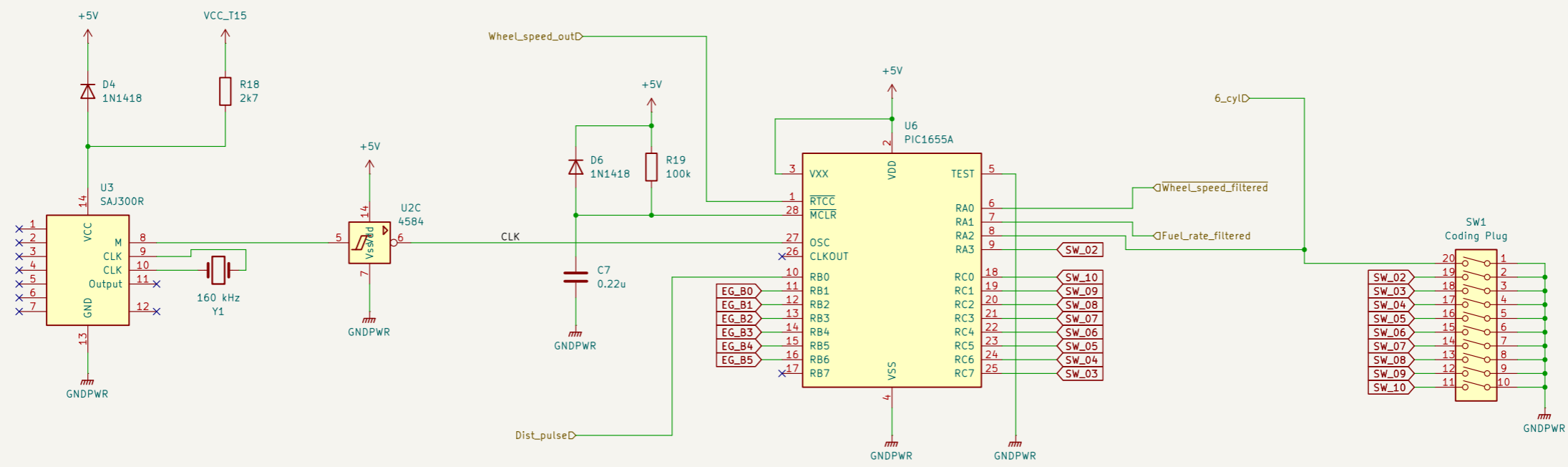
Reagan Ansel

Sheet: /
File: BMW_E30_Early_Cluster_EG.kicad_sch

Title: BMW E30 Gauge Cluster Fuel Economy Gauge

Size: A3 Date: / /
KiCad E.D.A. 9.0.7

Rev: /
Id: 1/2



NOTE: All resistors are 5% tolerance unless otherwise noted

Reagan Ansel
 Sheet: /Economy Gauge Driver/
 File: EG_Driver.kicad_sch

Title: BMW E30 Gauge Cluster Fuel Economy Gauge

Size: A3	Date:	Rev:
KiCad E.D.A. 9.0.7		Id: 2/2